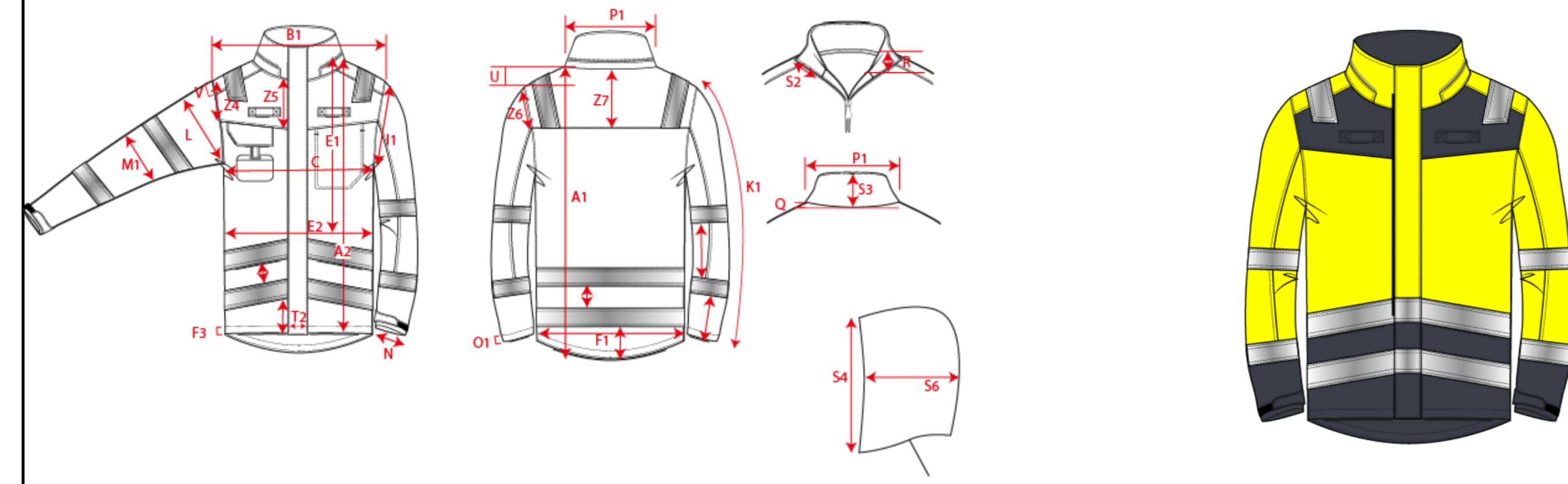


Production Size Specification

TRICORP



Stylenumber:	403020
Styledescription:	Parka High Vis Bicolor
Productgroup:	Jackets
Label:	Safety
Sexe:	Unisex
Fabric Description:	Oxford/ PU coating
Compositon:	100% Polyester
Weight:	200 gr/m2
Color:	Fluoryellowink/ Fluororangelnk/ Fluorredink
Spec from batch nr:	B14090
Date:	2-10-2019

sketch is not for style only FOR HOW TO MEASURE

	XS	S	M	L	XL	XXL	3XL	4XL	5XL	6XL	7XL	8XL	Tol	AQM
A1 Total backl meas from hsp	80	82	84	86	88	90	92	94,5	95,75	97	98,25	101,5	1,0	x
B1 Shoulder to shoulder	44,5	47	49,5	52	54,5	57	59,5	61,5	63,5	65,5	67,5	69,5	1,0	x
C 1/2 chest (at armhole)	51	55	59	63	67	71	75	81	87	93	99	105	1,0	x
K1 Upper arm length long sleeve	65	66	66	67	68	69	69	70	71	71	71	71	0,5	x