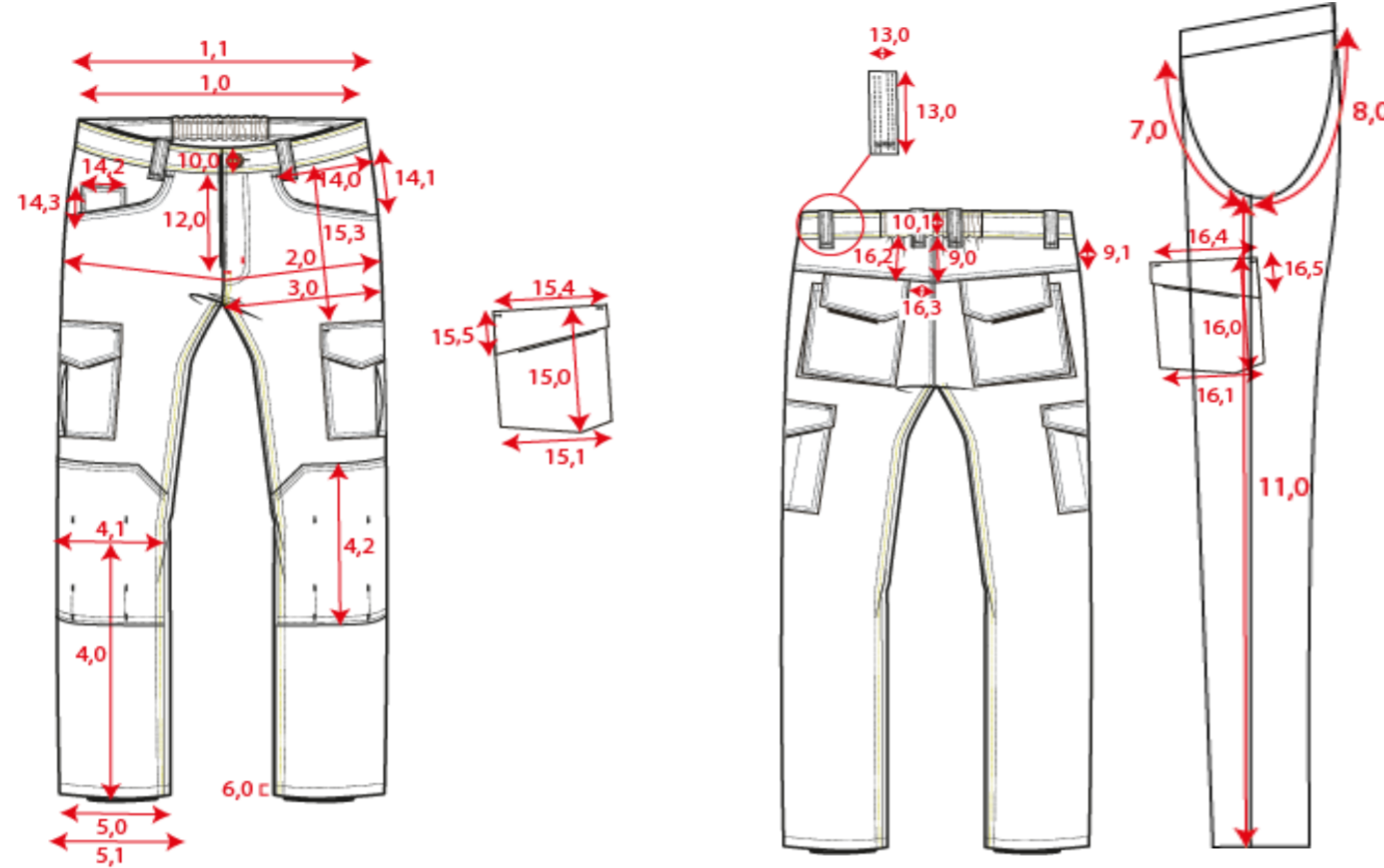


Production Size Specification

TRICORP



Sketch is for how to measure NOT for style

Stylenumber:	502024
Styledescription:	Werkbroek Twill Dames
Productgroup:	Trousers
Label:	Workwear
Sexe:	Ladies
Fabric Description:	Twill mechanical stretch
Compositon:	polyester/cotton 65/35 /mechanical stre
Weight:	245 gm2
Color:	Red, Navy,Black, Royal blue, Dark grey, Army
Spec from batch nr:	
Date:	26-10-2017

	32	34	36	38	40	42	44	46	48						Tol
Tricorp total body length	169-177	169-177	169-177	169-177	169-177	169-177	169-177	169-177	169-177						
1,0 1/2 Waist relaxed	34	36	38	40	42,5	45	47,5	50	52,5						1,0
2,0 1/2 Hip (under zip)	46	48	50	52	54,5	57	59,5	62	64,5						1,0
11,0 Inseam, long	81	81,5	82	82,5	83	83,5	84	84,5	85						0,5